

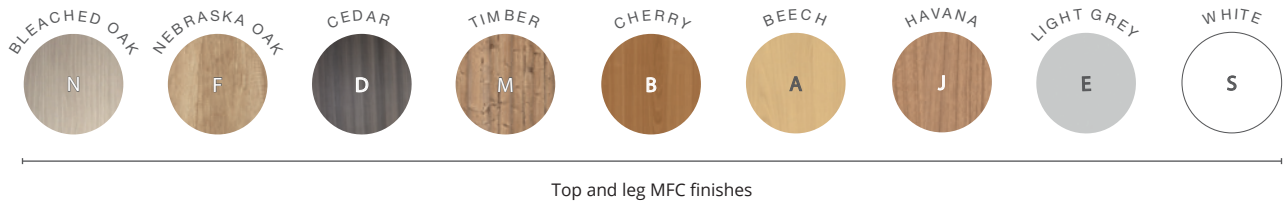
RETRO

SINGLE DESKS

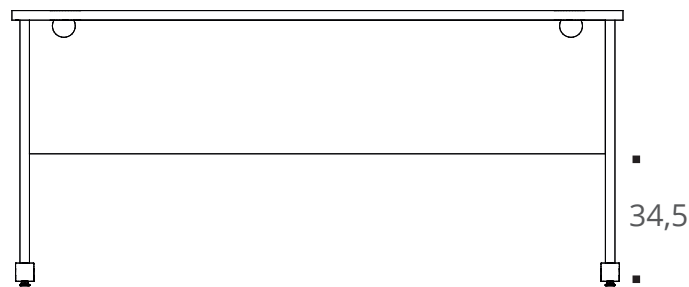
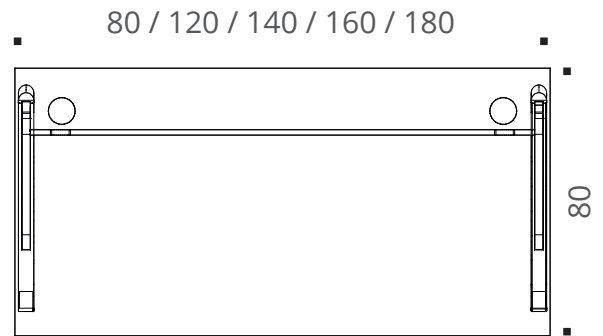
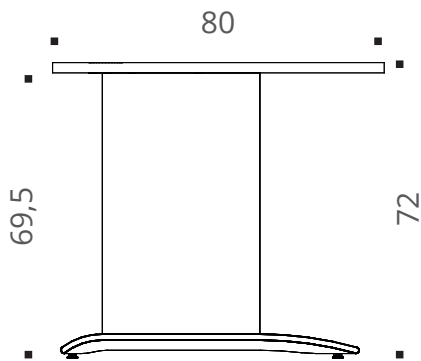
TECHNICAL SHEET



FINISHES

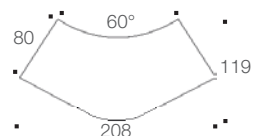
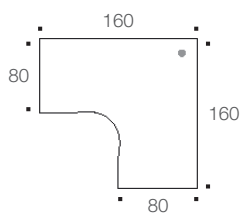
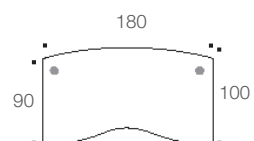
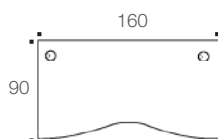
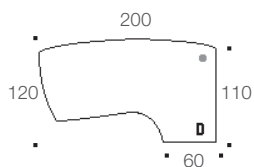
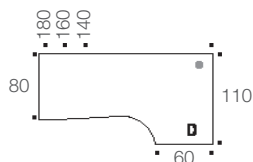
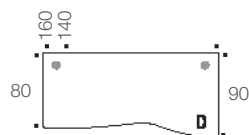


DIMENSIONS



Compliant with the NF EN 527-1/-2/-3, NF EN 14074, NFD 62042, ISO 9241-5, XPD 60050 standards.
*Structuralex® - MFC: Melamine Surfaced Particleboards covered with a coating imitating a wood species, or plain.
Counterbalanced and anti-reflection treated. Density 680 Kg/m³ (± 5%) in thickness 25 mm.

DIMENSIONS



Compliant with the NF EN 527-1/-2/-3, NF EN 14074, NFD 62042, ISO 9241-5, XPD 60050 standards.
 *Structur® - MFC: Melamine Surfaced Particleboards covered with a coating imitating a wood species, or plain.
 Counterbalanced and anti-reflection treated. Density 680 Kg/m³ (± 5%) in thickness 25 mm.

STRUCTURAL ELEMENTS

TABLE TOP

- Material: Structurex®- MFC*
- Thickness: 25 mm
- Edging: 2 mm thickness shock-resistant ABS
- Electrification: The table tops are all equipped with at least an 80 mm diameter grommet, standard aluminium finish. Available in Optional White, Black or Anthracite.
- Assembly: metal inserts, eccentric clamping screws, wooden dowels.

MODESTY PANEL

- The modesty panel is structural
- Material: Structurex®- MFC*
- Thickness: 16 mm for the open leg and 25 mm for the panel leg
- Edging: 2 mm thickness shock-resistant ABS
- Dimensions: H 35 cm, open leg or H 31.5 cm, panel leg
- Height under modesty panel: ± 34.5 cm open leg or ± 38 cm for panel leg
- Electrification: 2 cut-outs found at the upper ends so that cables can pass from the table top to an optional chute

SOLID PANEL LEG

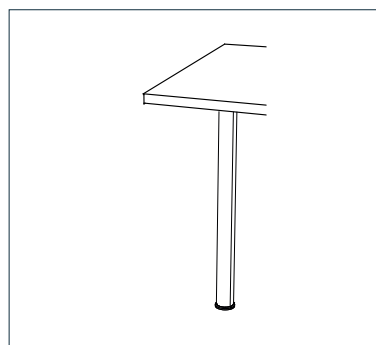
- Dimensions: D 2.5 cm / W 66 / H 69.5 cm (with cylinders)
- Material: Structurex®- MFC*
- Thickness: 25 mm
- Edging: 2 mm thickness shock-resistant ABS
- Electrification: Cables can be lowered via an optional articulated descent
- Adjusted using stabilisation cylinders with 25 mm diameter and 10 mm stroke to provide levelling on uneven ground.

SOLID PANEL WITH A BASE PLATE

- Dimensions: D 4.8 / W 38.5 to 72 / H 69.5 cm (with cylinders)
- Material: Structurex®- MFC*
- Thickness: 25 mm
- Edging: 2 mm thickness shock-resistant ABS
- Base: aluminium lacquered solid wood
- Electrification: Cables can be lowered via an optional articulated descent
- Adjusted using stabilisation cylinders with 25 mm diameter and 10 mm stroke to provide levelling on uneven ground.

SUPPORT LEG (OPTIONAL)

- 50 mm diameter cylindrical metal
- Essential for extensions to compact and compact manager tables, unless assembled with desk-height box, W 50 cm



Compliant with the NF EN 527-1/-2/-3, NF EN 14074, NFD 62042, ISO 9241-5, XPD 60050 standards.

*Structurex® - MFC: Melamine Surfaced Particleboards covered with a coating imitating a wood species, or plain. Counterbalanced and anti-reflection treated. Density 680 Kg/m³ ($\pm 5\%$) in thickness 25 mm.