

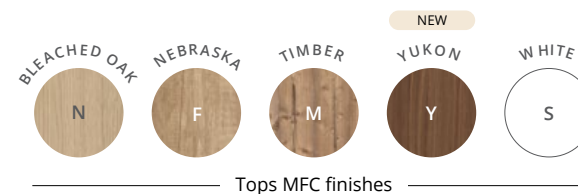
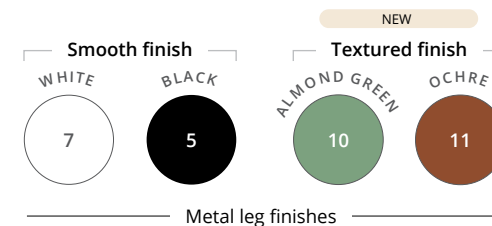
A ALTO

Manager

In line with our Alto range, **Alto Manager** desks embody a harmonious balance between contemporary design and user comfort. The sleek shape of their tops and their functional extensions make them an inviting solution that is well suited to the requirements of management spaces.

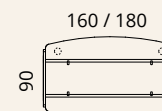


CHARACTERISTICS

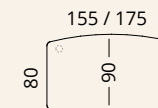


Technical description

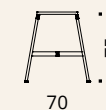
- 25 mm thick Structorex® melamine-coated tops with 4 40 mm radius round corners. 2 mm thick shock-proof ABS edging, fitted with 2 Ø 80 mm part drilled cable ports.
- Metal « A » arch legs, square cross-section 25 x 25 mm. Assembly connected by 2 steel structural beams, cross-section 40 x 25 mm, lacquered epoxy finish.
- Legs designed to hold accessories or options (pedestals, space dividers, accessory supports, extensions).
- Adjustable screw feet of diameter 25 mm and range 15 mm to compensate for any unevenness in the floor.



Bottom view

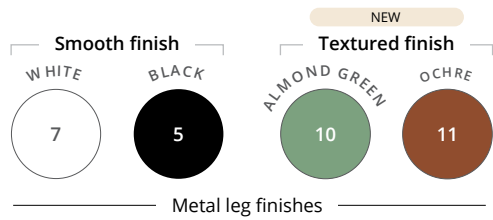


Manager desk top

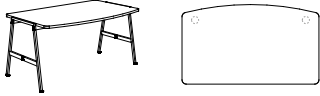


Single arch leg





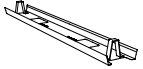
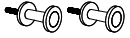


Manager DESKS

		Dim. (cm)	Ref.	Leg finish	Top finish
Manager desks H 75 cm Standard legs H 75 cm 		D 90 / L 160	DY32	+ <input type="checkbox"/>	+ <input type="checkbox"/>
		D 90 / L 180	DY33	+ <input type="checkbox"/>	+ <input type="checkbox"/>

Tops come with 2 Ø 80 mm part drilled cable ports

Extensions		Dim. (cm)	Ref.	Leg / brackets finish	Top finish
Extensions / Returns On support leg H 75 cm 		D 50 / L 70	DS76	+ <input type="checkbox"/>	+ <input type="checkbox"/>
		D 50 / L 100	DS77	+ <input type="checkbox"/>	+ <input type="checkbox"/>
"D end" extensions For fixing on legs with brackets 		D 35 / L 70	DY21	+ <input type="checkbox"/>	+ <input type="checkbox"/>
		D 35 / L 80	DY22	+ <input type="checkbox"/>	+ <input type="checkbox"/>

Options		Description	Ref.	Finish
Technical metal cable trays D 16 / H 8 cm Internal H 4 cm 		L 110 for L 160 cm desk	DS81	+ <input type="checkbox"/>
		L 130 for L 180 cm desk	DS82	+ <input type="checkbox"/>
Accessories hooks For helmet, bag, coat For fixing on legs 		Set of 2	DT03	+ <input type="checkbox"/>

