

NEW

ENVOL Manager

The **Envol Manager** desks combine a contemporary design with elegance and functionality. Their vast worktops offer a comfortable and spacious work space, ideal to accommodate your documents and office tools. Designed to adapt to your rhythm, the **Envol Manager** desks promote concentration, creativity and leadership, whether you work sitting down or standing up, always at the ideal height.



CHARACTERISTICS



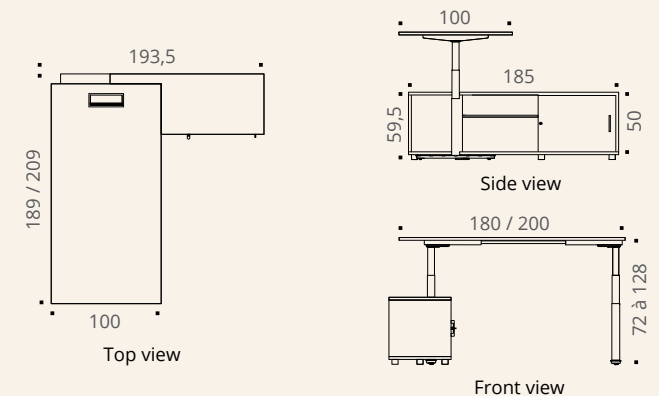
Metal legs finishes

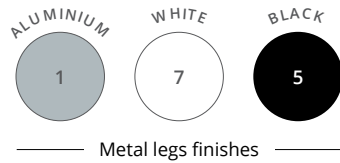


Tops, modesty panels and B-box consoles
MFC finishes

Technical description

- 25 mm thick Structurex® melamine-coated desk tops, protected by 2 mm thick shock-proof ABS edging, with a single Top Access hatch (internal dimensions L 30,9 / D 11,6 cm) finishes matching the legs.
- Telescopic metal structures made of square 70 x 70 mm lacquered epoxy finish, with electrically height-adjustable legs composed of 3 sections. Height-adjustable tops from H 72 to H 128 cm.
- Motorised height adjustment system (drive unit built into each leg), with up & down control unit, 4 programmable positions and 1 USB A + 1 USB C charging socket 5v.
- Desks available with B-box return console (dimensions : L 140 / D 55 / H 59.5 cm). Can be positioned on the right or left side of the desk. B-box available in 2 versions : 1 sliding door or 2 sliding doors + 2 internal drawers + central compartment. Pencil tray available as an option. Combined with a pedestal with hinged door (L 45 / D 55 / H 59.5 cm) that can be positioned on the right or left to integrate the desk base into the storage unit and manage the desk's electrical connections.



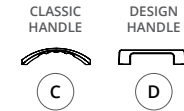


Manager DESKS



	Dim. (cm)	Description	Ref.	Leg finish	Top finish
Straight desks D 100 / H 63 to 128 cm Control panel with 4 memories <i>Top Access hatch finish matches the legs</i>	L 180	Single Top Access hatch included	EG65	+ <input type="checkbox"/>	+ <input type="checkbox"/>
	L 200		EG66	+ <input type="checkbox"/>	+ <input type="checkbox"/>

MANAGER DESKS on B-box console



	Dim. total (cm)	Description	Ref.	Leg finish	Top and B-box structure finish	Door and fittings B-box finish	Handle type
Straight desk on B-box console D 100 / L 180 or L 200 H 72 to 128 cm Total D 193,5 cm Control panel with 4 memories Single Top Access hatch included The B-box console can be positioned on the right or the left	L 189	Straight desk on B-box	EG67	+ <input type="checkbox"/>	+ <input type="checkbox"/>	+ <input type="checkbox"/>	+ <input type="checkbox"/>
	L 209	1 sliding door	EG68	+ <input type="checkbox"/>	+ <input type="checkbox"/>	+ <input type="checkbox"/>	+ <input type="checkbox"/>
Straight desk on B-box 2 sliding doors + 2 interior drawers	L 189		EG69	+ <input type="checkbox"/>	+ <input type="checkbox"/>	+ <input type="checkbox"/>	+ <input type="checkbox"/>
	L 209		EG70	+ <input type="checkbox"/>	+ <input type="checkbox"/>	+ <input type="checkbox"/>	+ <input type="checkbox"/>

Handles and Top Access finish matches the legs - Handle model to be specified (C or D)



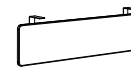
Options

Suspended Structorex® modesty panel



Dim. (cm)	Ref.	Bracket finish	Modesty panel finish
L 110 for desk L 180	EH55	+ <input type="checkbox"/>	+ <input type="checkbox"/>
L 130 for desk L 200	EH56	+ <input type="checkbox"/>	+ <input type="checkbox"/>

Suspended fabric modesty panel



Dim. (cm)	Ref.	Modesty panel finish
L 110 for desk L 180	EH575	+ <input type="checkbox"/>
L 130 for desk L 200	EH585	+ <input type="checkbox"/>

Non-visible fixing brackets with black finish

How to order ? Manager desk on B-box console 1 sliding door D 100 / L 180, **White** leg finish, **Nebraska** top and structure B-box MFC finish, **White** door and B-box interior, handle finish **D** = EG67 +