

# PRESTIGE

Standing out through its pure, straight lines, the **Prestige** executive desk owes its imposing presence to its superb thick top 38 mm and its quality and neat finishes. **Prestige** is characterised by a contemporary design and the combination of its finishes.



# CHARACTERISTICS

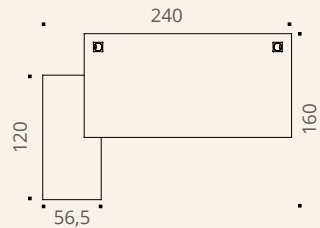
BLACK  
5

— Metal legs finish —

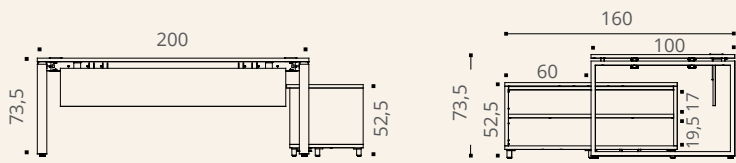
NEW

BLEACHED OAK (N) NEBRASKA (F) TIMBER (M) YUKON (Y) WHITE (S)

— Tops and storage units MFC finishes —

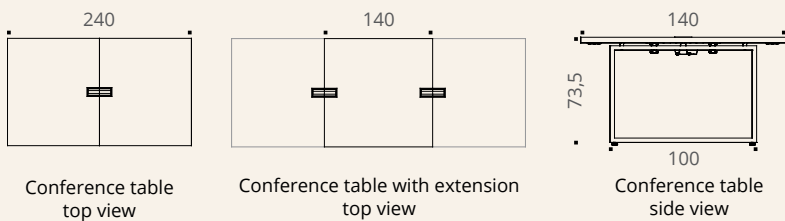


Desk - top view



Desk - front view

Desk - side view



Conference table top view

Conference table with extension top view

Conference table side view



## Electrification

The desk is fitted with 2 Ø 80 mm cable ports with a square black cover.

The conference tables are equipped with double Top Access hatches in central position, in the same finish as the legs.

## Return storage unit (depending on version)

Return storage unit made of 16 / 25 mm Structurex® melamine-coated panels, composed of 2 compartments or **2 drawers with push-latch open system** (depending on version). The return storage unit can be positioned on the right or on the left. Dim. L 120 / D 56,5 / H 52,5 cm.



Conference table



Executive desk on return open storage unit

# PRESTIGE



Executive desk on return storage unit with drawers

Top

38 mm Nitech® honeycomb melamine-coated panels. 2 mm thick shock-proof ABS edging.

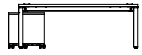
Leg

Metal arch ribbon leg of cross-section 70 x 30 mm, black epoxy finish, based on a self-supporting beam system with desk tops raised by spacers.

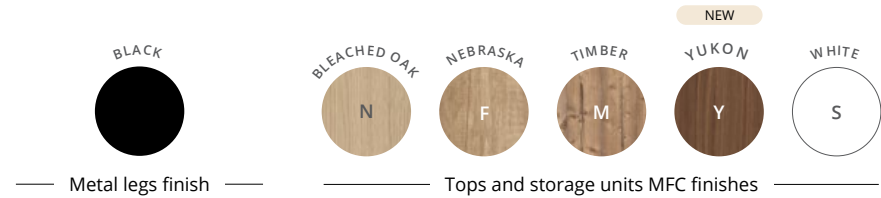
The desk and return storage unit are connected by a 15 cm high shortened ribbon leg which rests perfectly on the return storage unit.

Adjustable screw feet of Ø 25 mm and 10 mm range to compensate for any unevenness in the floor.

Download the data sheet




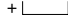
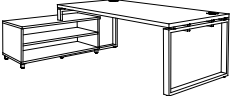

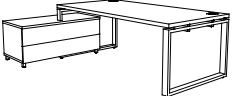

# PRESTIGE





## Executive DESKS



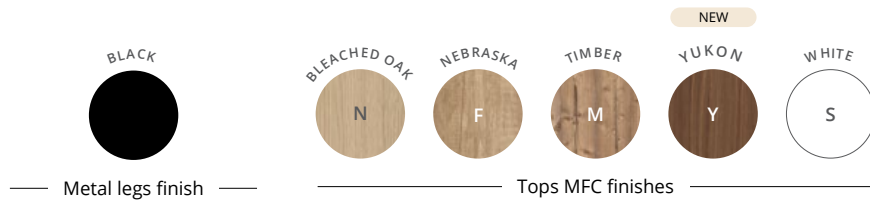
D 100 CM

	Dim. (cm)	Ref.	Finish
<b>Straight desk</b> D 100 / H 73,5 cm 	L 200	BG685	+ 
<b>Desk on return open storage unit</b> 	Overall dimensions D 160 / H 73,5 / L 240 Storage unit D 56,5 / H 52,5 / L 120 Can be positioned on the right or on the left	BY845	+ 
<b>Desk on return storage unit with drawers</b> Opening the drawers with "push-latch" system 	Overall dimensions D 160 / H 73,5 / L 240 Storage unit D 56,5 / H 52,5 / L 120 Can be positioned on the right or on the left	BY885	+ 

### ► Option

	Dim. (cm)	Ref.	Finish
<b>Structurex® suspended modesty panel</b> L 166 cm 	For L 200 H 28 cm H 33 cm desk-mounted	DA175	+ 



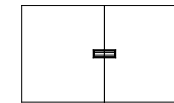


# PRESTIGE

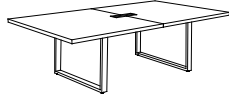





## Conference TABLES

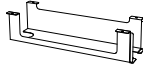
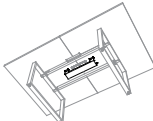
The conference tables are composed of multiple tops which will not have continuity of grain when placed next to each other.



D 140 CM

	Dim. (cm)	Ref.	Finish
<b>Conference tables</b> Double opening Top Access hatch included 	D 140 / H 73,5 / L 240 (seats 8/10)	DZ055	+ 
<b>Central extension for conference tables</b> Double opening Top Access hatch included 	D 140 / H 73,5 / L 140 (seats 4)	DZ065	+ 

### ► Options

	Description	Ref.	Finish
<b>Universal single metal cable tray</b> D 12 / H 11 / L 48,5 cm L internal 47,5 cm  	To be fixed directly under the tops with wood screws	EG915G	Black