



# ALTO

## Seating solutions

The **Alto** seating solutions are intended for the new welcoming and modular collaborative workspaces and blend perfectly with the contemporary, agile and innovating spirit of the **Alto** range. Available as independent settees or back-to-back benches that can be connected to the **Alto** tables and multi-workstation desks, **Alto** seating solutions are comfortable, easy to install thanks to the starter/add-on principle, the ideal solution to configure flexible workspaces.



## CHARACTERISTICS



— Metal legs finishes —



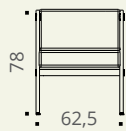
BeSoft fabric



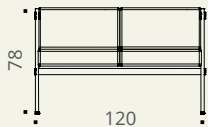
Step Melange fabric

*Alternative colour options, please contact us*

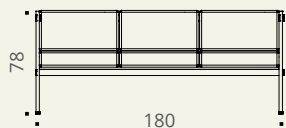
Front view



Armchair

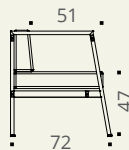


2-seat settee

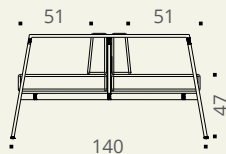


3-seat settee

Side view

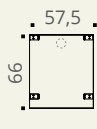
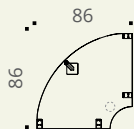


Armchair and  
2/3-seat settees



4/6-seat benches  
2/3 seats back-to-back

Connecting shelves - bottom view



ALTO Seating solutions 

WARRANTY  
**5**  
YEARS

### Connecting shelf

Connecting shelf in 25 mm thick Structurex® melamine-coated panel. 2 mm shock-proof ABS edging. Fixed by brackets on the legs.

Square support leg (25 x 25 mm) under the 90° angle and under duo extension shelf in low position.

### Seat and backrest

Seats with PE foam padding, density 40 kg/m<sup>3</sup>, attached with Velcro strips.

Backrests with PE foam padding, density 30 kg/m<sup>3</sup>, attached with magnets.

Upholstered with Step Melange fabric, 100 % Trevira CS, M1 Fire classification, or with BeSoft fabric, Oeko-Tex® certified.



### Base

Metal arch leg, square cross-section 25 x 25 mm, with adjustable screw feet (Ø 25 mm and range 15 mm).

Legs designed so that starter/add-on settee modules can be easily assembled together or back-to-back benches placed next to Alto multi-workstation desks/meeting tables.

### Structure

Seat structures connected by steel structural beams, cross-section 40 x 25 mm, with lacquered epoxy finish. Seat and back supports made of 16 mm thick melamine-coated panel. Assembled with screws.



Download  
the data sheet



### Power module under the settee

To be fixed under the seat with wood screws



Side-by-side SEATING SOLUTIONS



Back-to-back SEATING SOLUTIONS



	Ref.	Leg finish	Fabric finish
--	------	------------	---------------

**Armchair**  
D 72 / H 75-78 / L 62,5 cm  
Seating : D 50 / H 47 / L 57 cm



DZ88 +  +

**2-seat settee**  
D 72 / H 75-78 / L 120 cm  
Seating : D 50 / H 47 / L 115 cm



DZ89 +  +

**3-seat settee**  
D 72 / H 75-78 / L 180 cm  
Seating : D 50 / H 47 / L 175 cm



DZ90 +  +

**ADD-ON UNITS**

**2-seat settee Add-on unit**  
D 72 / H 75-78 / L 117,5 cm  
Seating : D 50 / H 47 / L 115 cm



DZ91 +  +

**3-seat settee Add-on unit**  
D 72 / H 75-78 / L 177,5 cm  
Seating : D 50 / H 47 / L 175 cm



DZ92 +  +

	Ref.	Leg finish	Fabric finish
--	------	------------	---------------

**2-seat bench Back-to-back**  
D 140 / H 75-78 / L 62,5 cm



DZ93 +  +

**4-seat bench 2 seats back-to-back**  
D 140 / H 75-78 / L 120 cm



DZ94 +  +

**6-seat bench 3 seats back-to-back**  
D 140 / H 75-78 / L 180 cm



DZ95 +  +

**ADD-ON UNITS**

**4-seat bench 2 seats back-to-back Add-on unit**  
D 140 / H 75-78 / L 117,5 cm



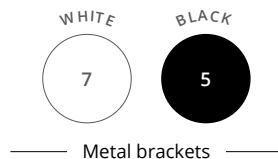
DZ96 +  +

**6-seat bench 3 seats back-to-back Add-on unit**  
D 140 / H 75-78 / L 177,5 cm

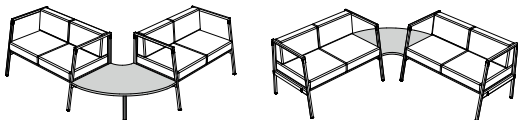

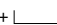
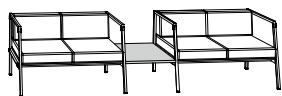
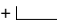
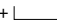
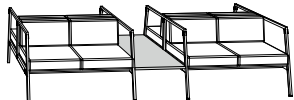

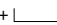


DZ97 +  +



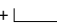
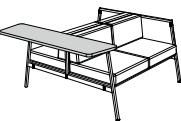




How to order ? ALTO 3-seat settee L 180 cm, Black metal legs, Grey fabric = DZ90 +  5  E



## Connecting SHELVES

	Ref.	Bracket finish	Shelf finish
<b>90° Connecting corner</b> D 86 / L 86 cm Support leg included Interior or exterior angle assembly 	ED93	+ 	+ 
<b>Solo connecting shelf</b> D 57,5 / L 66 cm 	ED94	+ 	+ 
<b>Duo connecting shelf</b> D 57,5 / L 128,5 cm 	ED95	+ 	+ 

## Extension SHELVES

	Ref.	Bracket finish	Shelf finish
<b>Solo extension shelf</b> D 35 / L 90 cm 	DY23	+ 	+ 
<b>Duo extension shelf High position</b> D 35 / L 143,5 cm 	DY24	+ 	+ 
<b>Duo extension shelf Low position</b> D 35 / L 143,5 cm 2 support legs included 	ED96	+ 	+ 